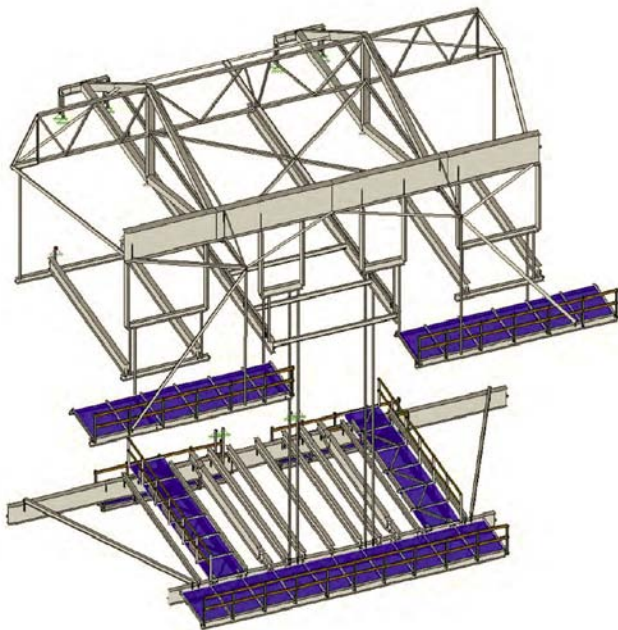
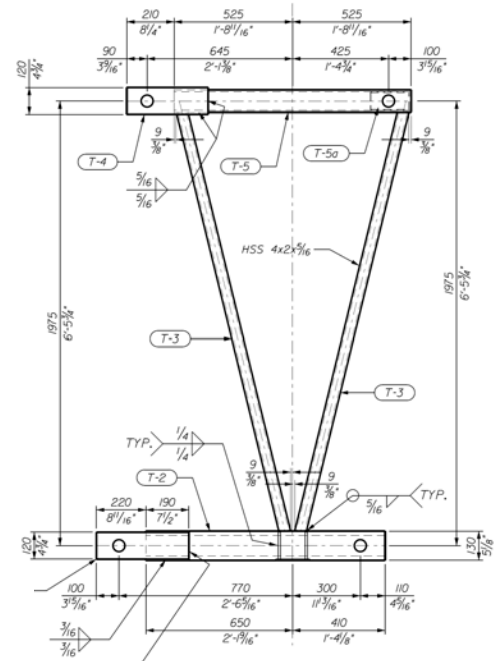




Broad Avenue Bridge over the Flint River - Form Traveler

Modify Form Traveler for New Balanced Cantilever Bridge



Reconfigure existing form traveler for new cast-in-place balanced cantilever bridge

- Develop overall layout to suit new bridge
- Structural analysis and verification
- Sleeve layout
- Loading on bridge
- Pour deflections
- Modification drawings and calculations
- Field inspections
- Technical assistance

Project - Broad Avenue Bridge over Flint River
Location - Albany, Georgia
Year - 2013
Type - Form Traveler
Owner - Georgia DOT
GC - PCL Civil Constructors
Client - PCL Civil Constructors